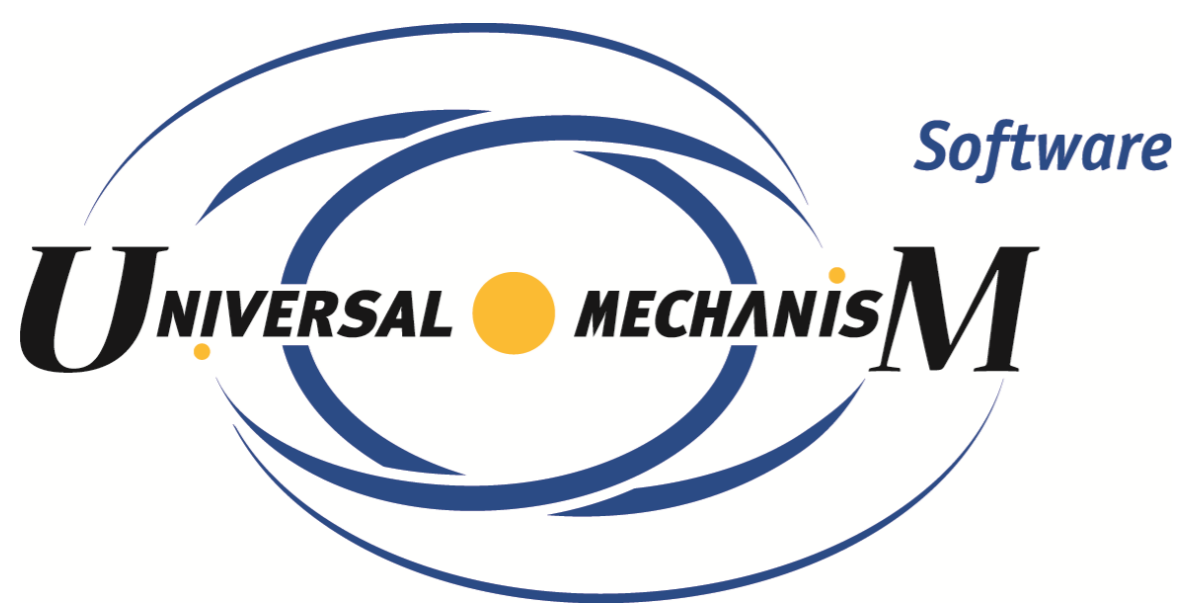


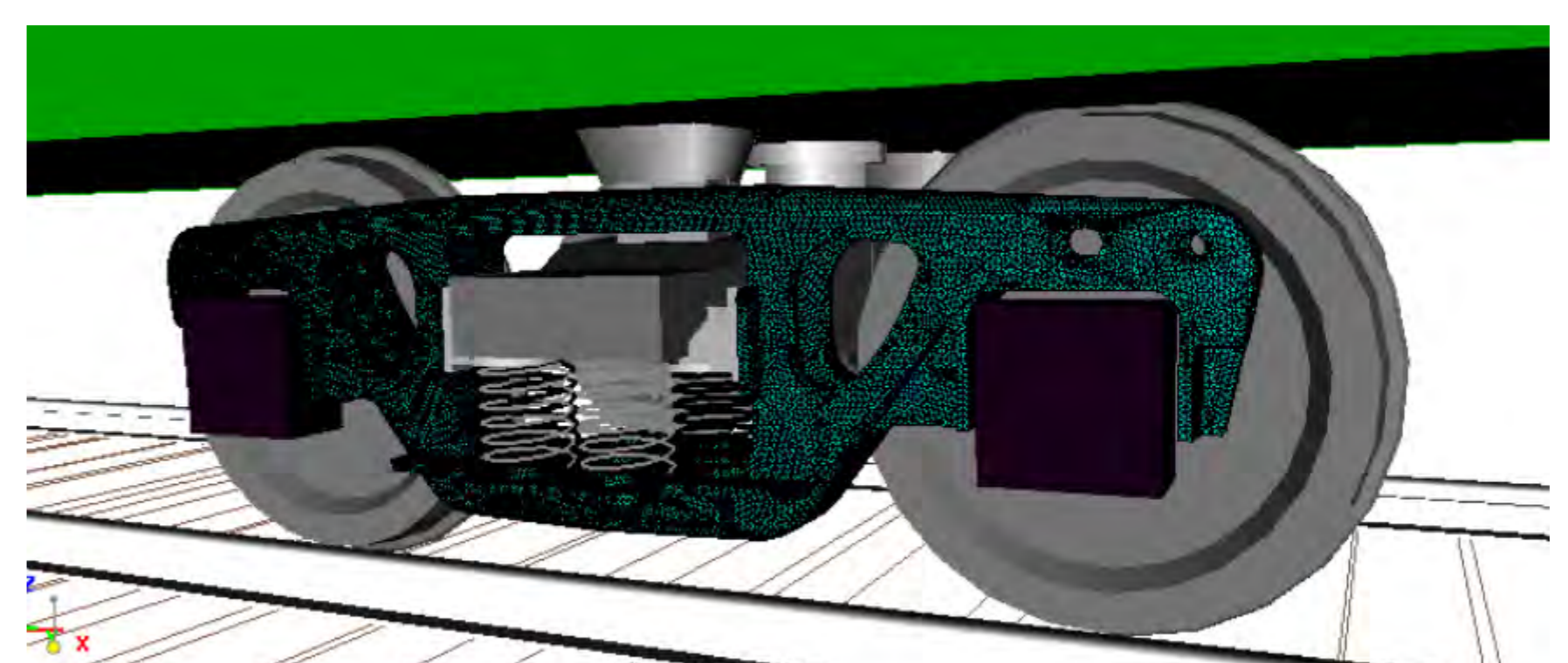
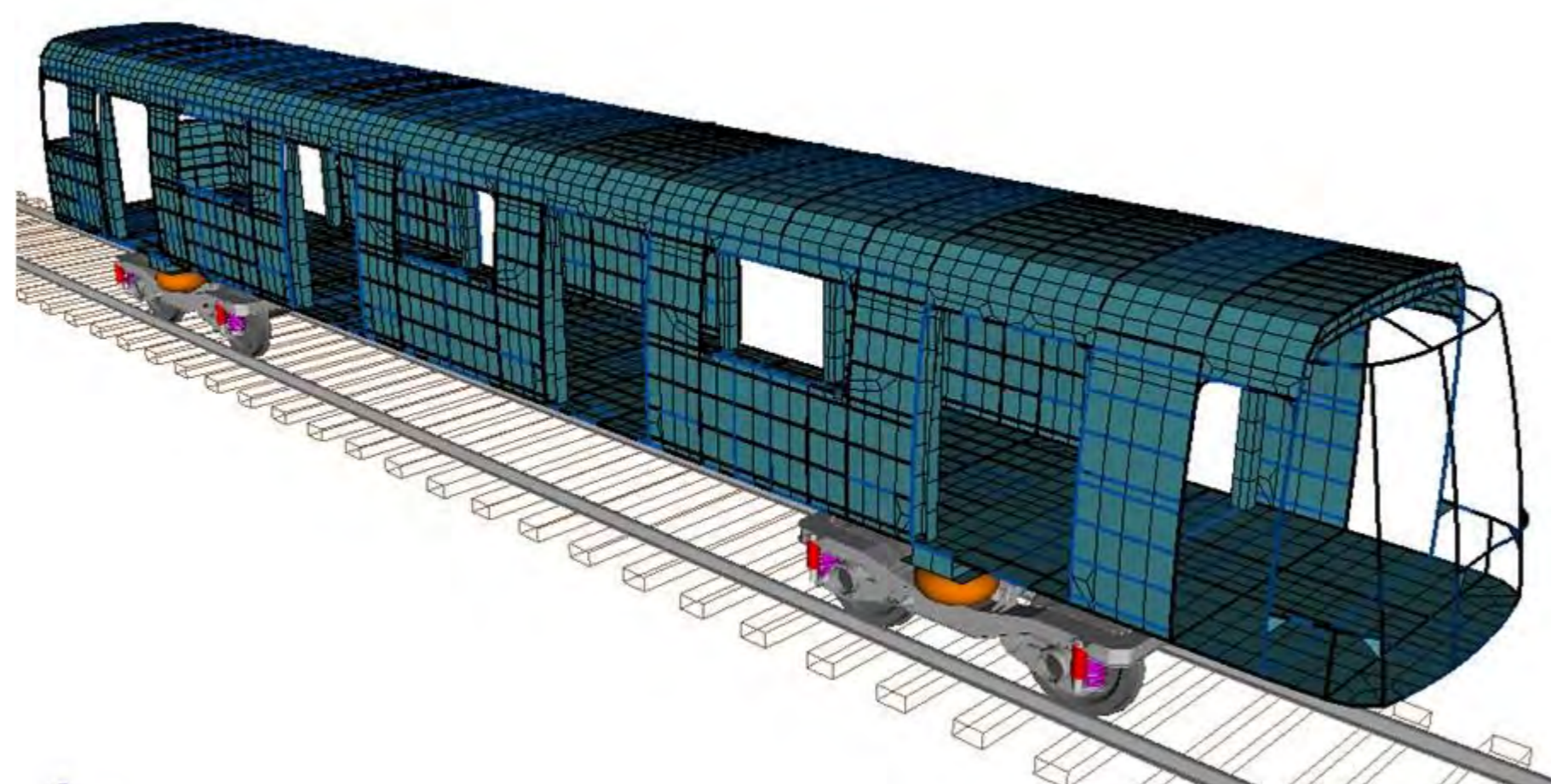
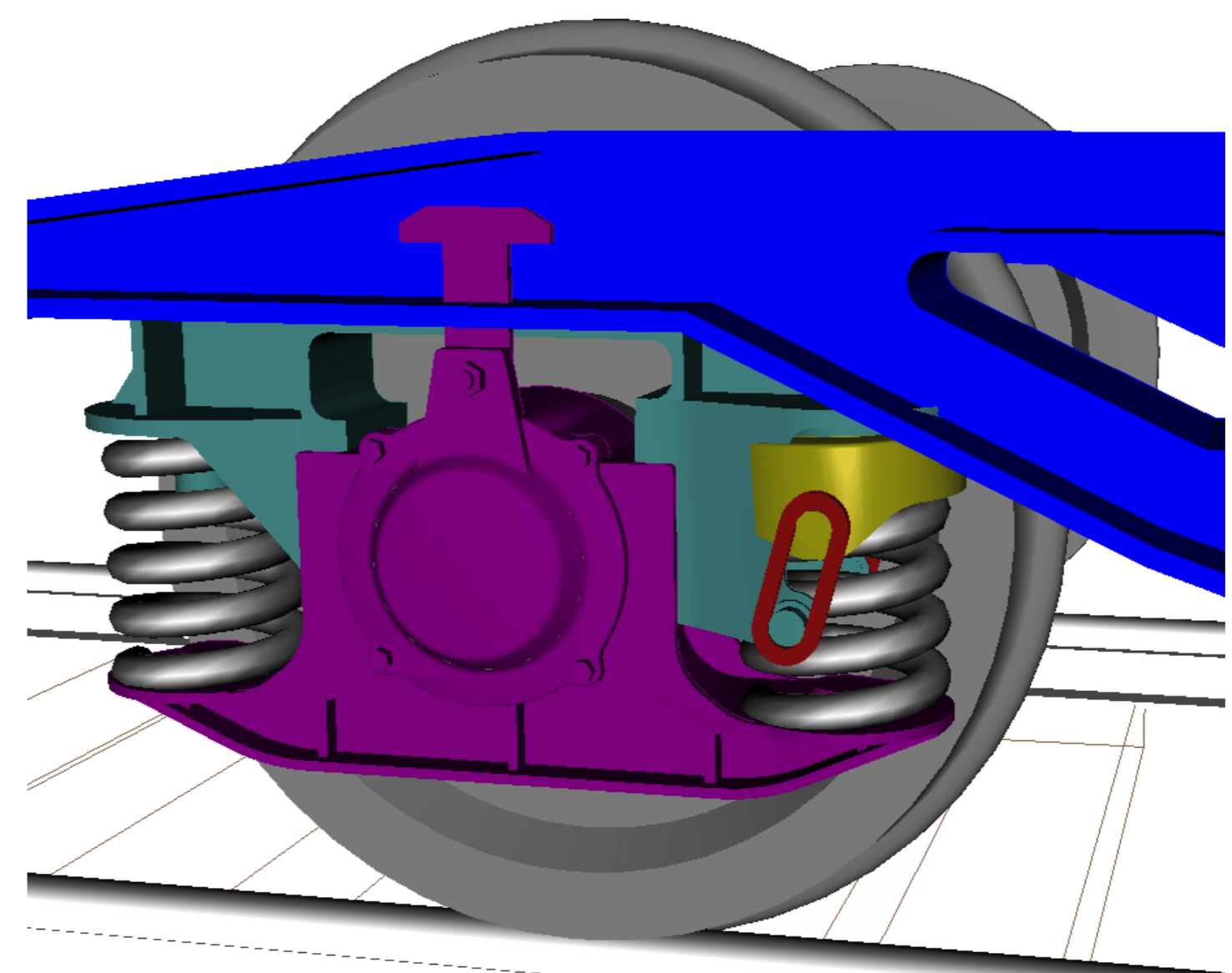
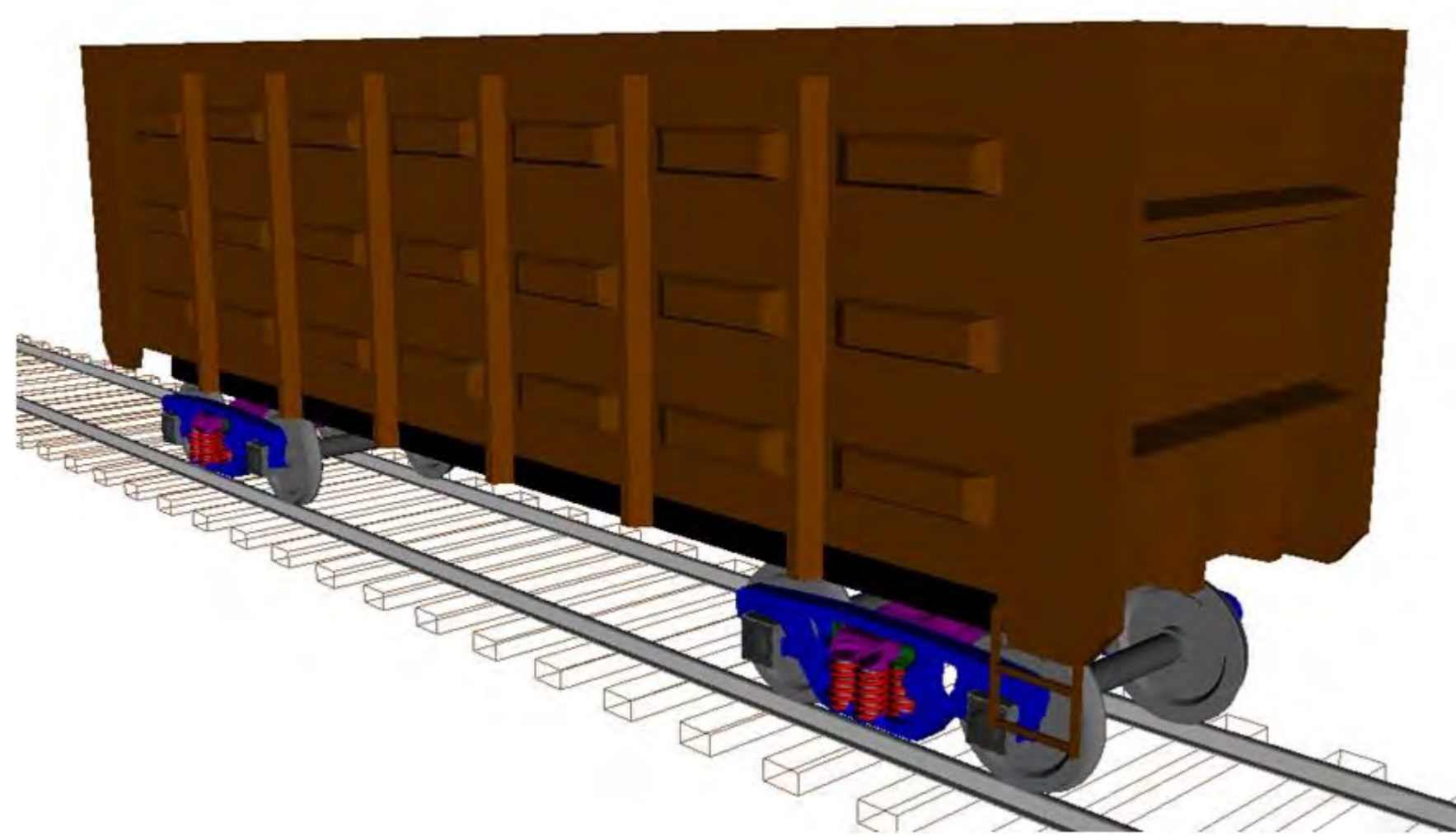
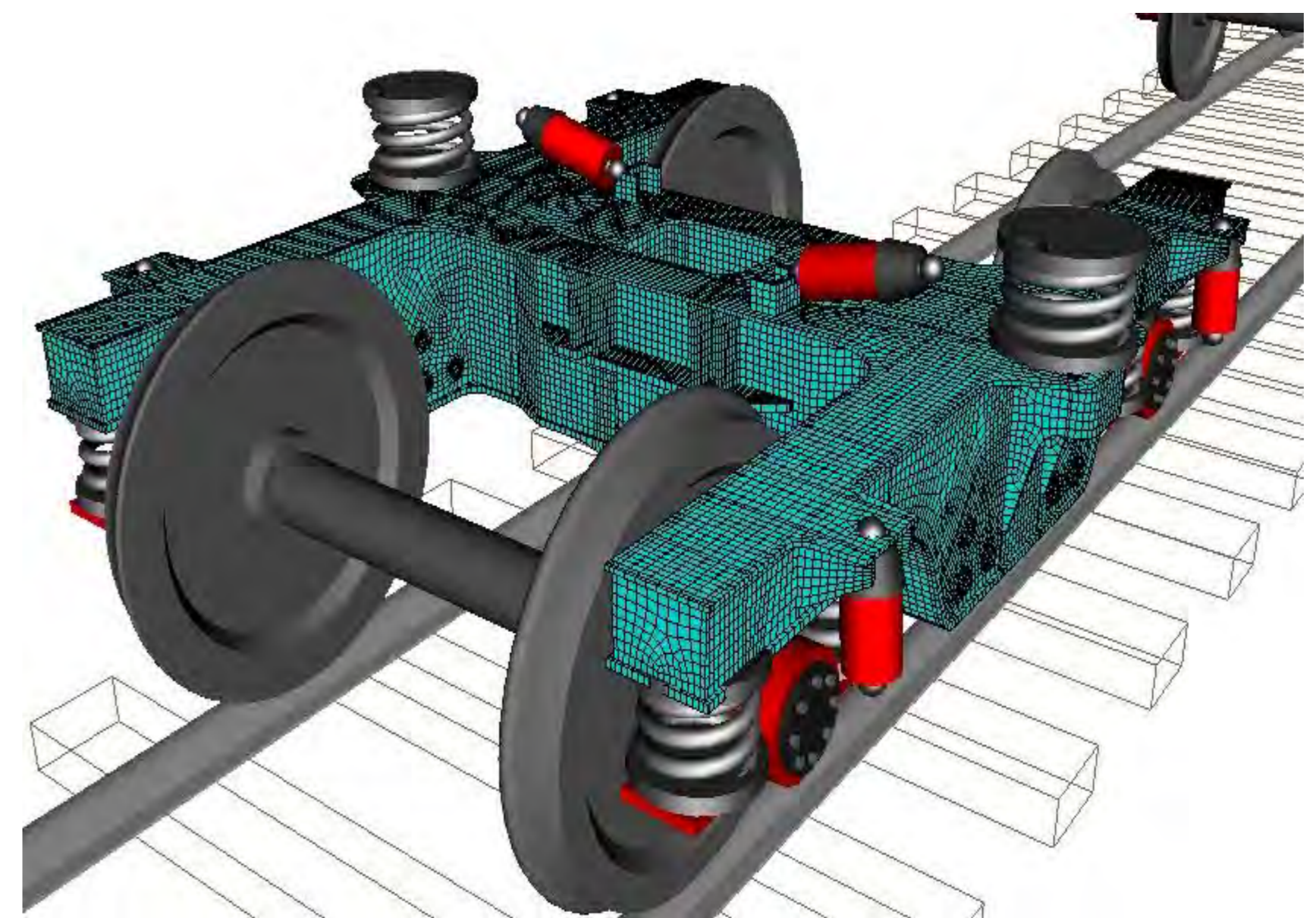
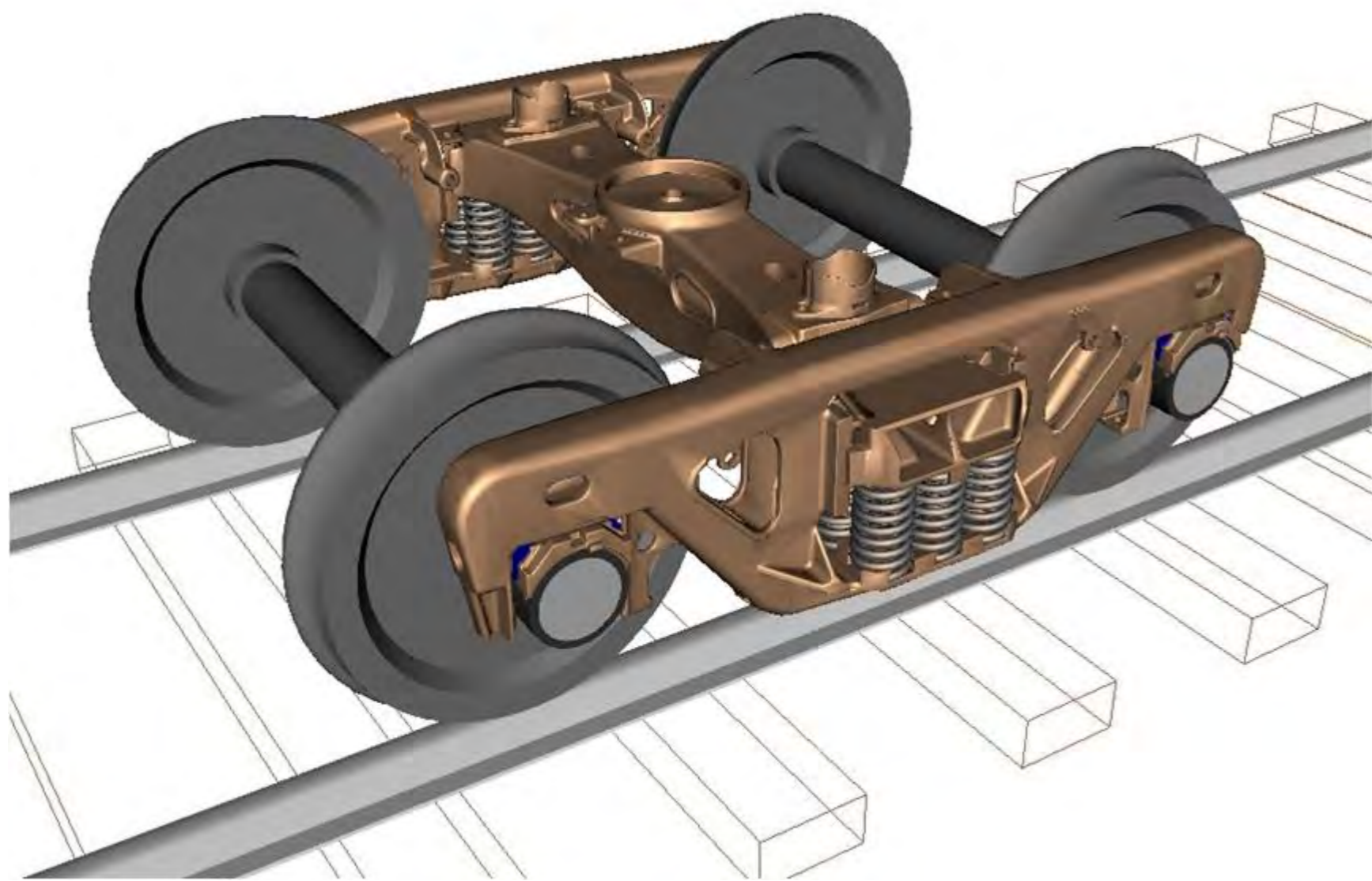
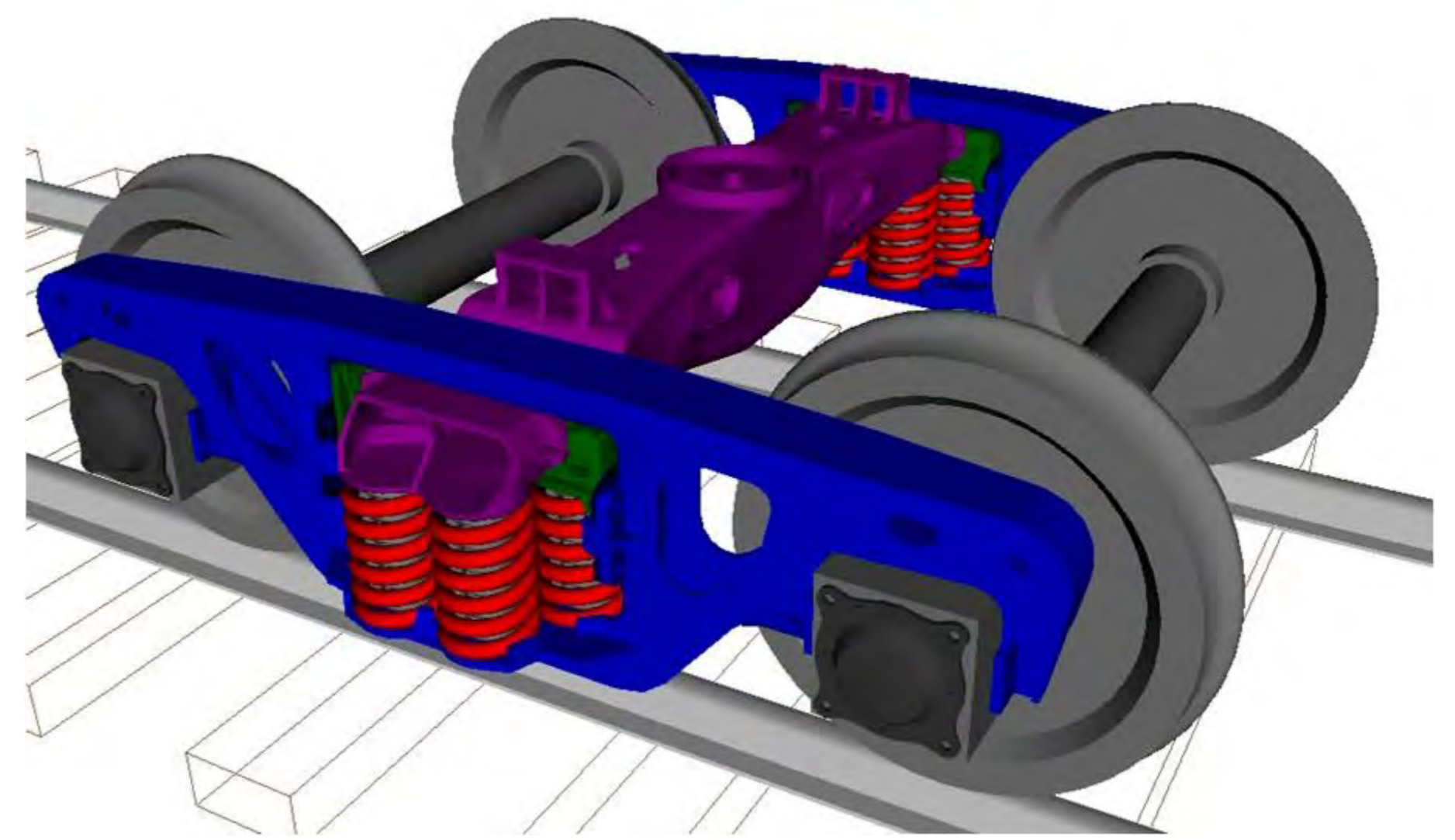
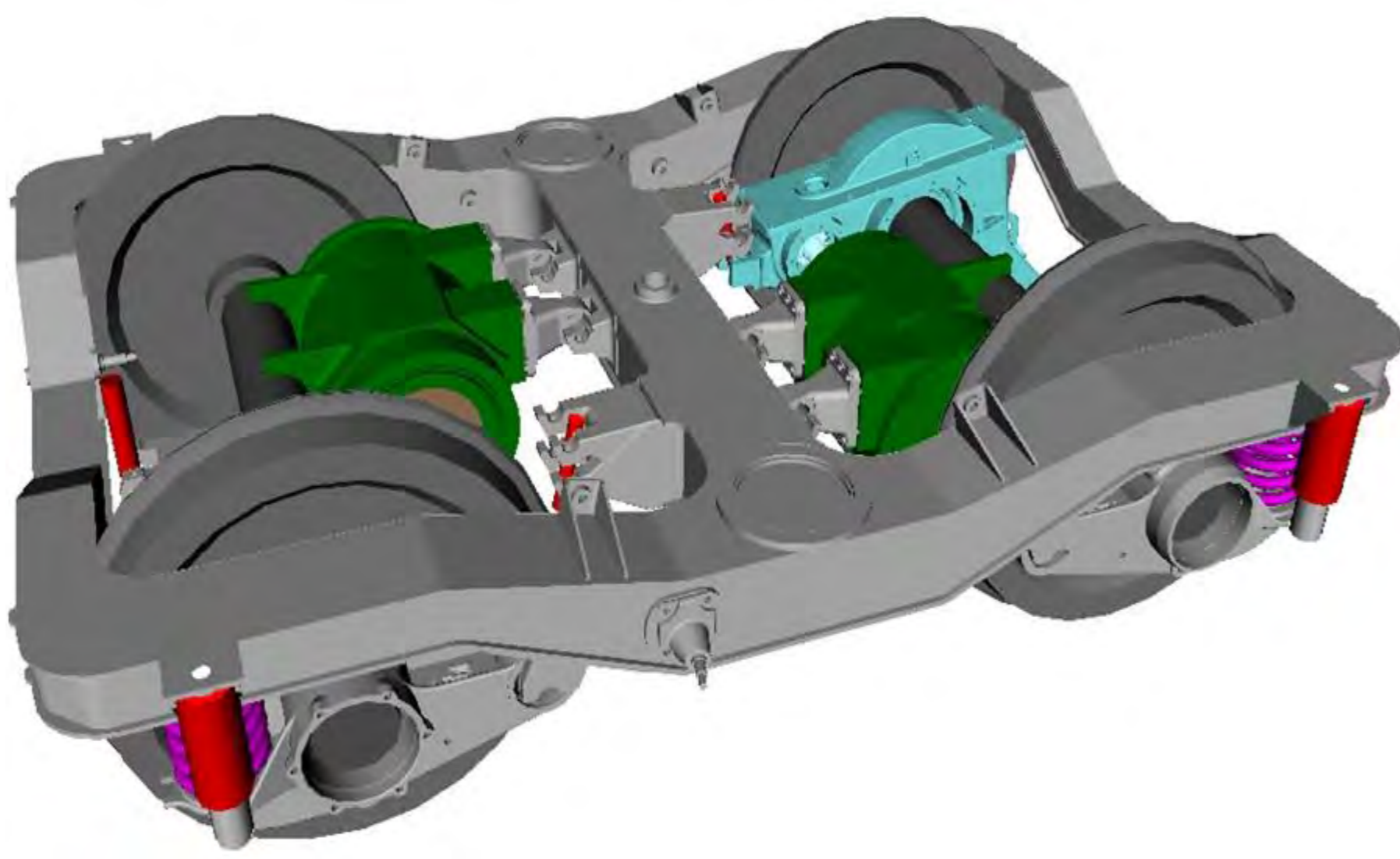
UNIVERSAL MECHANISM



**Universal Mechanism
Agent in Australia**



Institute of Railway Technology is the official representative of Universal Mechanism in Australia and provides services related to this software package.



**Institute of Railway
Technology**

www.irt.monash.edu

© 2015 Institute of Railway Technology All Rights Reserved